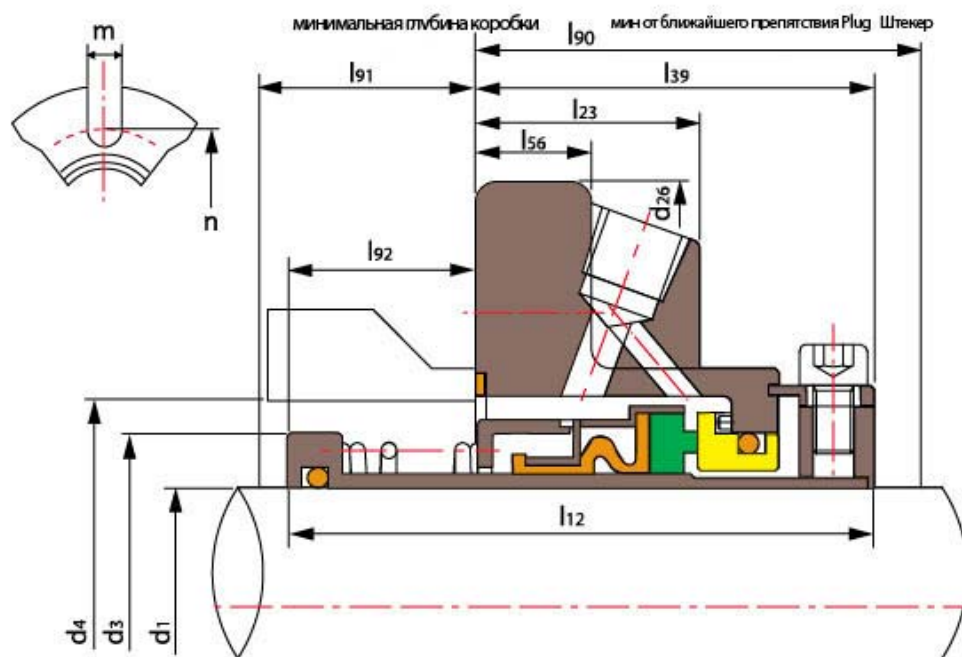
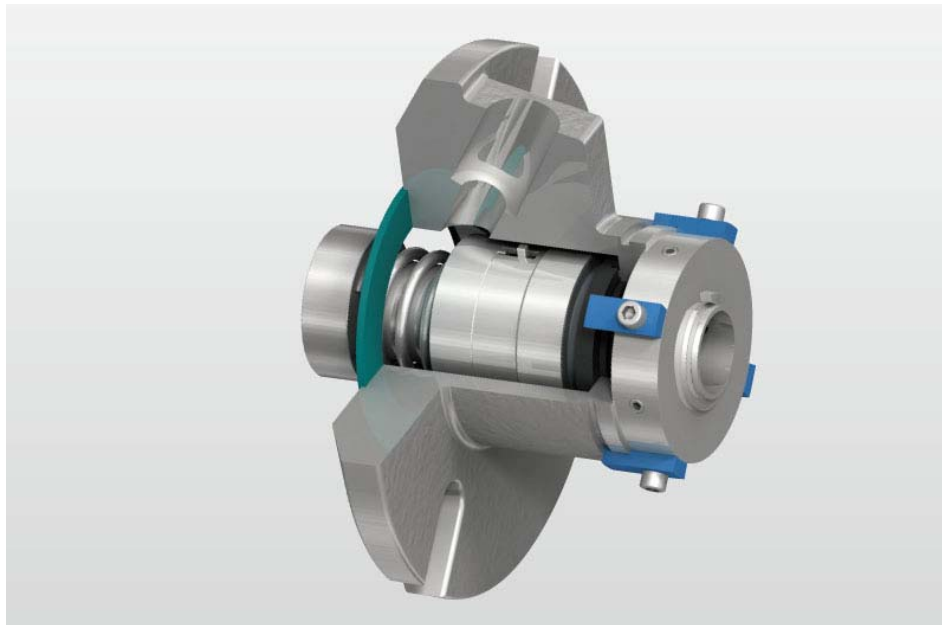


## Sellos Mecánicos de Cartucho TSSC-J03 25mm-125mm



Anillo Rotatorio (SiC/Carbón/TC)

Anilla Estacionaria (SiC/TC)

**Shanghai Trisun Parts Manufacture Co.,Ltd.**

Oficina central en Shanghai:

Oficina 05-06, Piso 16th, Edificio Hongjia, Calle Fushan No.388 (Cerca de la Calle Xiangcheng), Pudong, Shanghai, China.

Código Postal: 200122

Tel.: +86-21-58355541,+86-21-58353145,+86-21-58353343

Fax: +86-21-58353141

Correo Electrónico: [trisun24@trisunltd.com](mailto:trisun24@trisunltd.com)



Sello Secundario (VITON/Anillo Encapsulado/PTFE)

Otras Piezas (SUS304/SUS316/Titanio/Hastelloy-C)

**Límites de Funcionamiento**

Presión:  $\leq 2.8\text{MPa}$

Velocidad:  $\leq 25\text{m/s}$

Temperatura:  $-30^{\circ}\text{C} \sim +250^{\circ}\text{C}$

25	34.9	38.1	48.0	101.6	69.6	34.4	49.6	13.5	50.8	23.1	20.0	13.3	71.2
28	38.1	41.3	51.2	104.8	65.9	36.7	52.4	13.5	54.0	16.7	13.5	13.3	74.5
30	42.8	46.0	56.5	108.0	69.0	36.7	52.4	13.5	54.0	19.8	16.7	13.3	81.6
32	42.8	46.0	58.3	108.0	69.0	36.7	52.4	13.5	54.0	19.8	16.7	13.3	81.6
33	46.0	49.2	61.5	111.1	66.7	36.7	52.4	13.5	54.0	17.5	14.3	13.3	84.8
35	46.0	49.2	61.5	111.1	66.7	36.7	52.4	13.5	54.0	17.5	14.3	13.3	84.8
38	50.8	54.0	68.1	123.8	75.2	37.8	54.0	15.1	55.6	24.4	21.2	13.3	91.4
40	54.0	57.2	71.4	127.0	76.8	37.8	54.0	15.1	55.6	26.0	22.8	14.3	95.7
43	57.2	60.3	74.1	133.4	77.2	37.8	54.0	15.1	55.6	26.4	23.2	14.3	98.4
45	57.2	60.3	74.1	133.4	77.2	37.8	54.0	15.1	55.6	26.4	23.2	14.3	98.4
48	60.3	63.5	74.1	133.4	77.2	37.8	54.0	15.1	55.6	26.4	23.2	14.3	98.4
50	68.2	69.9	76.6	139.7	87.7	40.7	58.7	27.0	60.3	32.2	29.0	14.3	101.6
53	71.4	73.0	85.3	148.8	87.7	40.7	58.7	15.1	60.3	32.2	29.0	17.4	113.5
55	69.9	73.0	85.3	148.8	90.9	40.7	58.7	15.1	60.3	35.4	32.2	17.4	113.5
58	69.9	75.0	88.5	165.1	90.9	40.7	58.7	15.1	60.3	35.4	32.2	17.4	116.0
60	77.8	79.4	91.7	165.1	88.1	43.6	62.6	15.9	64.2	28.6	25.5	17.4	119.9
63	82.6	85.7	98.8	171.5	97.3	43.6	65.1	15.9	66.7	35.4	32.2	17.4	127.0
65	82.6	85.7	98.8	171.5	97.3	43.6	65.1	15.9	66.7	35.4	32.2	17.4	127.0
68	88.9	92.1	103.2	171.5	101.0	41.2	63.5	15.9	65.1	40.7	37.5	17.4	131.3
70	88.9	92.1	103.2	171.5	101.0	41.2	63.5	17.4	65.1	40.7	37.5	17.4	131.3
75	100.0	101.6	113.5	196.9	106.0	45.4	65.1	\	66.7	44.1	40.9	20.6	145.3
80	103.2	104.8	116.8	188.9	106.4	40.5	63.8	\	66.9	45.8	42.6	20.6	148.5
85	109.5	111.1	123.2	206.4	111.1	40.5	65.1	\	68.3	49.2	46.1	20.6	154.8
90	115.9	117.5	129.5	121.7	117.5	40.5	65.1	\	68.3	55.6	52.4	17.4	158.8
95	117.7	120.0	132.1	222.3	112.7	40.5	65.1	\	68.3	50.8	47.6	17.4	172.0
100	125.4	127.8	139.7	228.6	122.2	40.5	65.1	\	68.3	60.3	57.2	20.6	171.7
125	165.1	167.5	184.4	304.8	146.0	41.4	77.3	\	80.5	71.9	68.8	20.6	254.0

**Shanghai Trisun Parts Manufacture Co.,Ltd.**

Oficina central en Shanghai:

Oficina 05-06, Piso 16th, Edificio Hongjia, Calle Fushan No.388 (Cerca de la Calle Xiangcheng), Pudong, Shanghai, China.

Código Postal: 200122

Tel.: +86-21-58355541,+86-21-58353145,+86-21-58353343

Fax: +86-21-58353141

Correo Electrónico: [trisun24@trisunltd.com](mailto:trisun24@trisunltd.com)