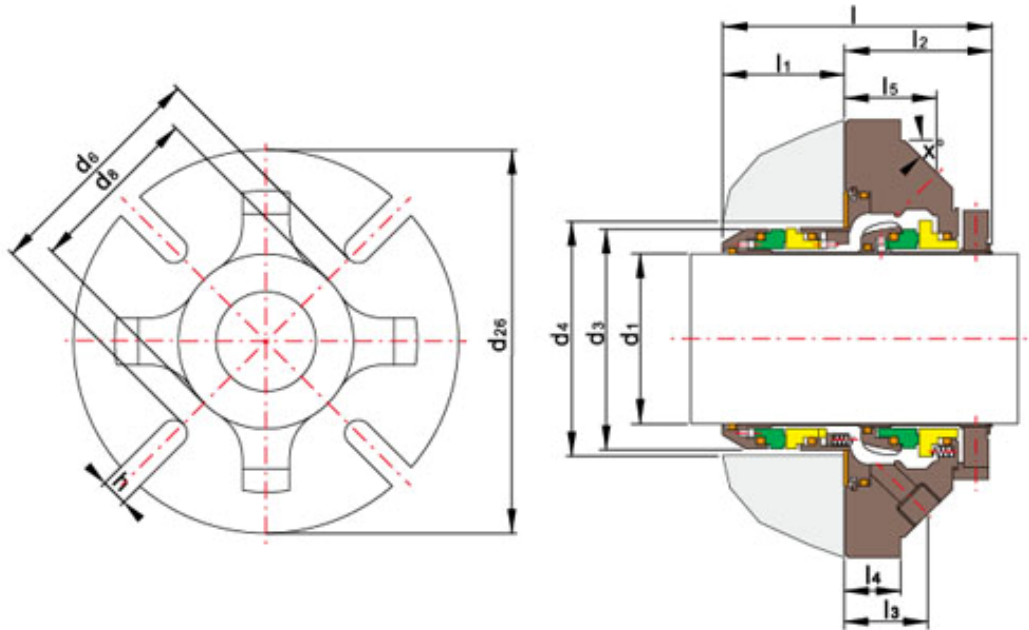
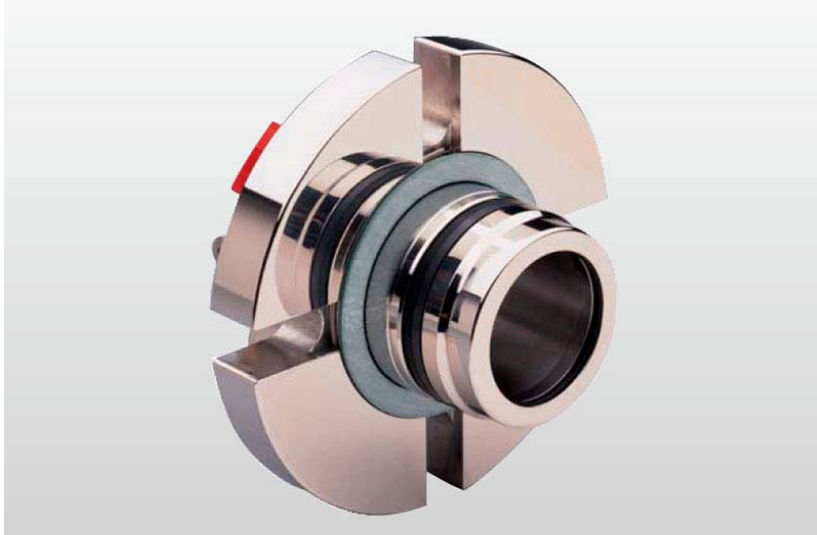


## Sellos Mecánicos de Cartucho TSDC-A03 24mm-125mm



### Características:

#### Límites de Funcionamiento:

Presión:  $\leq 2.1$ MPa

Velocidad:  $\leq 25$ m/s

Temperatura:  $-40^{\circ}\text{C} \sim 204^{\circ}\text{C}$

1. Anillo Rotatorio (SiC/Carbón/TC)

---

### Shanghai Trisun Parts Manufacture Co.,Ltd.

#### Oficina central en Shanghai:

Oficina 05-06, Piso 16th, Edificio Hongjia, Calle Fushan No.388 (Cerca de la Calle Xiangcheng), Pudong, Shanghai, China.

Código Postal: 200122

Telf.: +86-21-58355541,+86-21-58353145,+86-21-58353343

Fax: +86-21-58353141

Correo Electrónico: [trisun24@trisunltd.com](mailto:trisun24@trisunltd.com)

2. Anilla Estacionaria (SiC/TC)
3. Sello Secundario (VITON/EPDM/Kalrez)
4. Otras Piezas (C-276/Dúplex/316)

Tamaño del Sello (mm)	d <sub>1</sub>	d <sub>2</sub>	d <sub>4</sub>		d <sub>6</sub>	d <sub>8</sub>	d <sub>26</sub>	l	l <sub>1</sub>	l <sub>2</sub>	l <sub>3</sub>	l <sub>4</sub>	l <sub>5</sub>	h	x
			Mín.	Máx.											
24	24	40.8	43.0	48.0	57.7	50.4	105.0	92.0	53.1	38.9	28.2	19.2	29.2	14.0	20°
25	25	41.8	44.0	51.0	62.0	51.0	105.0	92.0	53.1	38.9	27.8	19.2	29.2	14.0	20°
28	28	45.4	47.0	54.0	65.0	55.5	111.0	92.0	53.1	38.9	27.5	19.2	29.4	14.0	20°
30	30	46.8	49.0	54.0	64.6	56.4	105.0	92.0	53.1	38.9	27.4	19.2	29.7	14.0	20°
32	32	49.8	51.0	57.0	66.5	59.4	105.0	92.0	53.1	38.9	28.4	21.5	30.9	14.0	25°
33	33	49.8	51.0	57.0	66.5	59.4	105.0	92.0	53.1	38.9	28.4	21.5	30.9	14.0	25°
35	35	51.8	53.0	59.0	68.5	61.4	120.0	92.0	53.1	38.9	29.3	20.7	29.3	14.0	15°
40	40	57.6	59.0	70.5	80.7	70.8	135.0	93.2	53.1	40.1	30.1	21.3	30.1	14.0	20°
43	43	58.6	61.0	70.5	80.7	70.8	135.0	93.2	53.1	40.1	26.7	21.3	29.8	14.0	15°
45	45	62.0	64.0	75.0	84.6	73.8	139.0	93.2	53.1	40.1	30.5	21.9	30.5	14.0	20°
50	50	68.0	70.0	78.0	87.6	78.9	150.0	93.2	53.1	40.1	30.5	21.6	30.5	17.5	20°
53	53	71.6	73.0	87.0	97.0	85.0	150.0	93.2	53.1	40.1	25.7	21.3	29.5	17.5	15°
55	55	71.6	73.0	87.0	97.0	85.0	150.0	93.2	53.1	40.1	25.7	21.3	29.5	17.5	15°
60	60	77.9	80.0	92.0	102.4	88.0	164.5	93.2	53.1	40.1	30.5	21.6	30.5	17.5	20°
63	63	81.1	83.0	98.5	108.7	94.4	171.0	93.2	53.1	40.1	29.8	21.6	29.8	17.5	15°
65	65	84.3	86.0	98.5	108.7	94.4	171.0	93.2	53.1	40.1	29.4	21.3	29.4	17.5	15°
70	70	87.4	89.0	100.0	112.0	98.3	180.5	93.2	53.1	40.1	29.7	21.3	29.7	17.5	20°
75	75	98.0	101.6	117.5	131.4	116.5	189.3	115.9	63.5	52.4	25.0	25.8	36.3	17.5	20°
80	80	104.4	108.0	127.0	142.5	126.0	201.9	115.9	63.5	52.4	25.0	25.8	36.3	21.0	20°
85	85	107.6	111.1	127.0	142.5	126.0	201.9	115.9	63.5	52.4	25.0	25.8	36.3	21.0	20°
90	90	113.9	117.5	136.5	152.0	135.5	214.6	115.9	63.5	52.4	26.2	25.8	36.3	21.0	20°
95	95	117.1	120.0	136.5	152.0	135.5	214.6	115.9	63.5	52.4	26.2	25.8	36.3	21.0	20°
100	100	123.4	127.0	139.7	155.2	138.7	227.3	115.9	63.5	52.4	26.2	25.8	36.3	21.0	20°
105	105	129.8	133.4	152.4	167.9	151.4	240.0	115.9	63.5	52.4	36.0	23.8	40.1	21.0	45°
110	110	136.1	139.7	152.4	167.9	151.4	240.0	115.9	63.5	52.4	36.0	23.8	40.1	21.0	45°
115	115	142.5	146.1	165.1	180.6	164.1	252.7	115.9	63.5	52.4	36.0	23.8	40.1	24.0	45°
120	120	142.5	146.1	165.1	180.6	164.1	252.7	115.9	63.5	52.4	36.0	23.8	40.1	24.0	45°
125	125	148.8	152.4	165.1	180.6	164.1	252.7	115.9	63.5	52.4	36.0	23.8	40.1	24.0	45°

---

**Shanghai Trisun Parts Manufacture Co.,Ltd.**

**Oficina central en Shanghai:**

Oficina 05-06, Piso 16th, Edificio Hongjia, Calle Fushan No.388 (Cerca de la Calle Xiangcheng), Pudong, Shanghai, China.

**Código Postal:** 200122

**Telf.:** +86-21-58355541,+86-21-58353145,+86-21-58353343

**Fax:** +86-21-58353141

**Correo Electrónico:** [trisun24@trisunltd.com](mailto:trisun24@trisunltd.com)