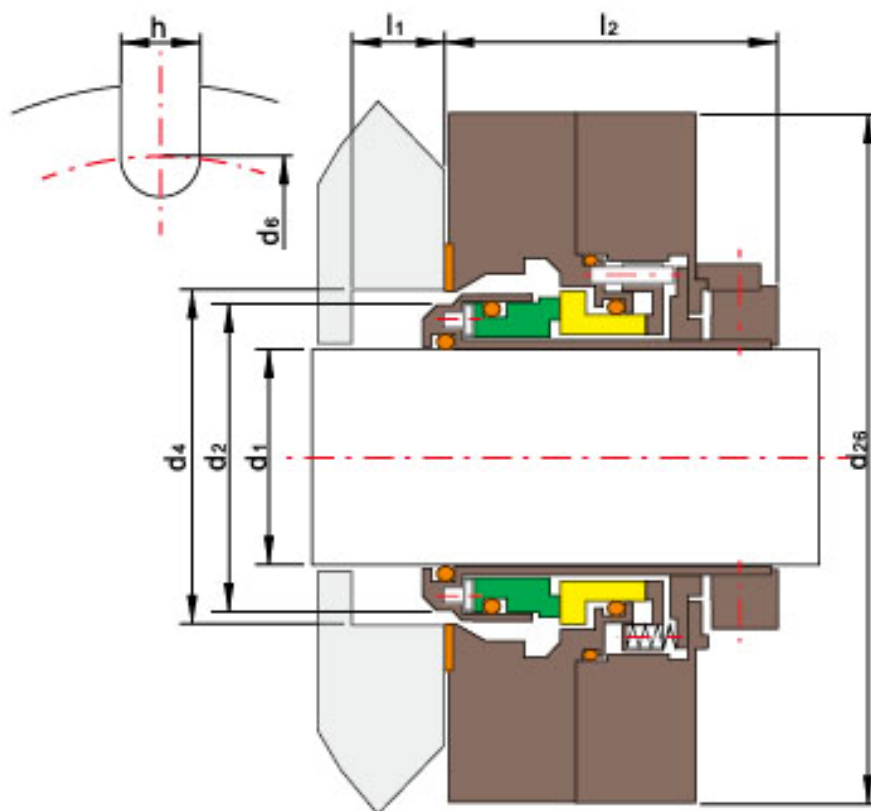


## Sellos Mecánicos de Cartucho TSSC-C03 1.750mm-4.750mm



### Características:

Límites de Funcionamiento:

Presión:  $\leq 4\text{MPa}$

Velocidad:  $\leq 20\text{m/s}$

Temperatura:  $-40^{\circ}\text{C} \sim +204^{\circ}\text{C}$

---

### Shanghai Trisun Parts Manufacture Co.,Ltd.

Oficina central en Shanghai:

Oficina 05-06, Piso 16th, Edificio Hongjia, Calle Fushan No.388 (Cerca de la Calle Xiangcheng), Pudong, Shanghai, China.

Código Postal: 200122

Tel.: +86-21-58355541,+86-21-58353145,+86-21-58353343

Fax: +86-21-58353141

Correo Electrónico: [trisun24@trisunltd.com](mailto:trisun24@trisunltd.com)

1. Anillo Rotatorio (SiC/TC)
2. Anilla Estacionaria (SiC/Carbón/TC)
3. Sello Secundario (VITON/AFLAS/Kalrez)
4. Otras Piezas (C-276/Dúplex/316)

d <sub>1</sub> (mm)	d <sub>2</sub>		d <sub>4</sub>	d <sub>6</sub>	d <sub>26</sub>	l <sub>1</sub>	l <sub>2</sub>			h
	Mín.	Máx.					3/8"	1/2"	5/8"	
1.750	2.500	2.810	0.69	0.570	5.490	1.910	3.620	3.75*	-	1.270
1.875	2.630	2.940	0.69	0.570	5.490	1.910	3.750	3.85*	-	1.270
2.000	2.750	3.190	0.69	0.570	5.490	1.910	4.000	4.130	-	1.270
2.125	2.880	3.440	0.69	0.690	5.990	1.910	4.250	4.380	4.500	1.270
2.250	3.000	3.560	0.69	0.690	5.990	1.910	4.370	4.500	4.620	1.270
2.375	3.130	3.590	0.69	0.690	5.990	1.910	4.430	4.560	4.680	1.270
2.500	3.250	3.810	0.69	0.690	6.490	1.910	4.620	4.750	4.870	1.270
2.625	3.630	4.040	0.88	0.690	6.450	2.500	5.020	5.150	-	1.770
2.750	3.750	4.380	0.88	0.690	7.700	2.500	5.420	5.550	-	1.770
2.875	3.880	4.500	0.88	0.690	7.830	2.500	5.500	5.620	-	1.770
3.000	4.000	4.690	0.88	0.690	7.940	2.500	5.650	5.770	-	1.770
3.125	4.130	4.810	0.88	0.690	7.990	2.500	5.800	5.920	-	1.770
3.250	4.250	4.940	0.88	0.690	8.190	2.500	5.930	6.050	-	1.770
3.375	4.380	5.060	0.88	0.810	8.300	2.500	6.020	6.140	6.270	1.770
3.500	4.500	5.190	0.88	0.810	8.440	2.500	6.180	6.310	6.430	1.770
3.625	4.630	5.310	0.88	0.810	8.490	2.500	6.310	6.440	6.560	1.770
3.750	4.750	5.390	0.88	0.810	8.710	2.500	6.380	6.510	6.630	1.770
3.875	4.880	5.510	0.88	0.810	8.840	2.500	6.520	6.640	6.770	1.770
4.000	5.000	5.690	0.88	0.810	8.960	2.500	6.660	6.780	6.910	1.770
4.125	5.130	5.810	0.88	0.810	8.990	2.500	6.790	6.900	7.030	1.770
4.250	5.250	5.940	0.88	0.810	8.990	2.500	6.910	7.040	7.160	1.770
4.375	5.380	6.060	0.88	0.810	9.330	2.500	7.030	7.150	7.280	1.770
4.500	5.500	6.190	0.88	0.810	9.490	2.500	7.180	7.300	7.430	1.770
4.625	5.630	6.310	0.88	0.810	9.490	2.500	7.280	7.400	7.530	1.770
4.750	5.750	6.470	0.88	0.810	10.490	2.500	7.400	7.530	7.650	1.770

---

**Shanghai Trisun Parts Manufacture Co.,Ltd.**

**Oficina central en Shanghai:**

Oficina 05-06, Piso 16th, Edificio Hongjia, Calle Fushan No.388 (Cerca de la Calle Xiangcheng), Pudong, Shanghai, China.

**Código Postal:** 200122

**Tel.:** +86-21-58355541,+86-21-58353145,+86-21-58353343

**Fax:** +86-21-58353141

**Correo Electrónico:** [trisun24@trisunltd.com](mailto:trisun24@trisunltd.com)